

SCHEMATIC DIAGRAM

A

B

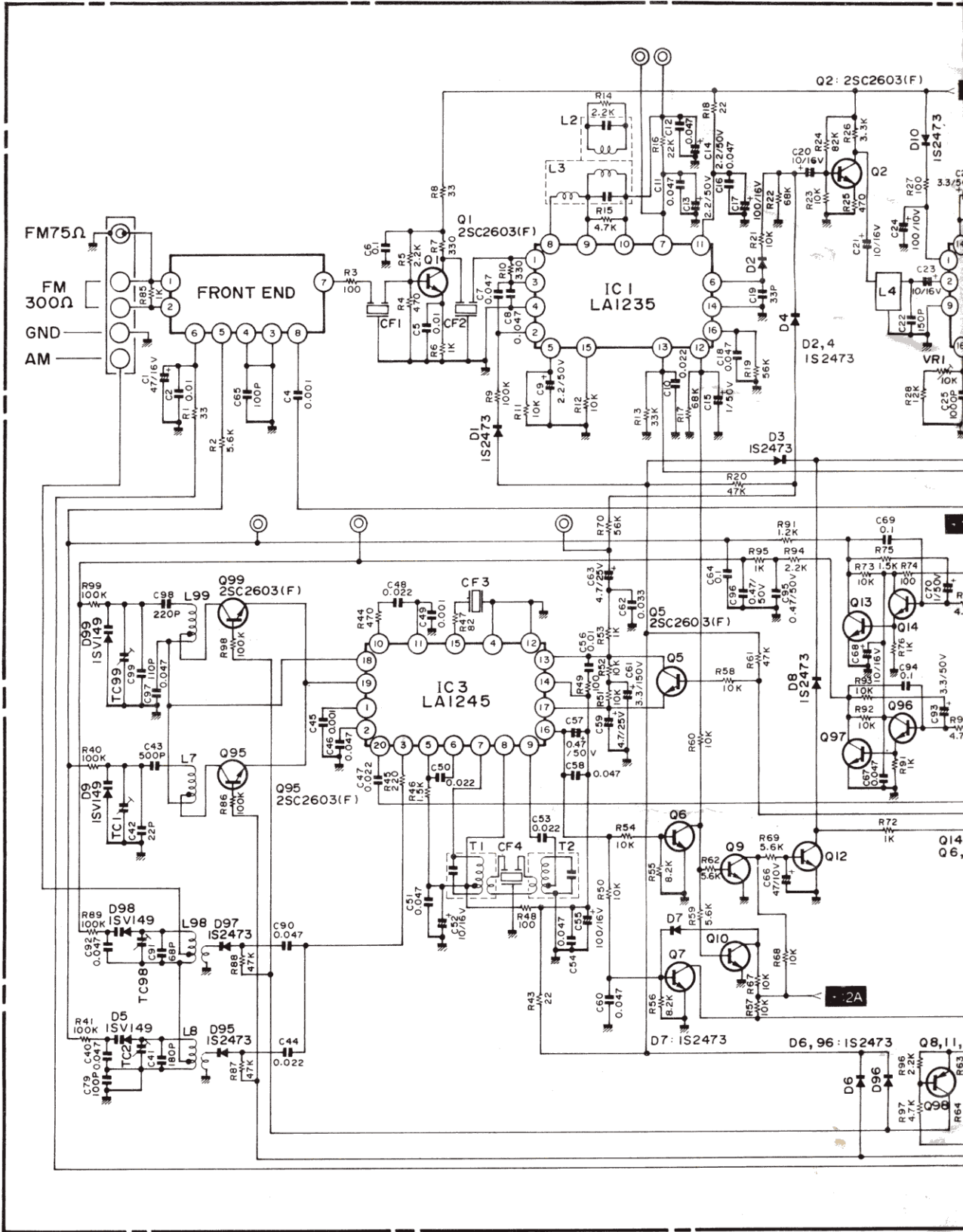
C

D

1

2

3

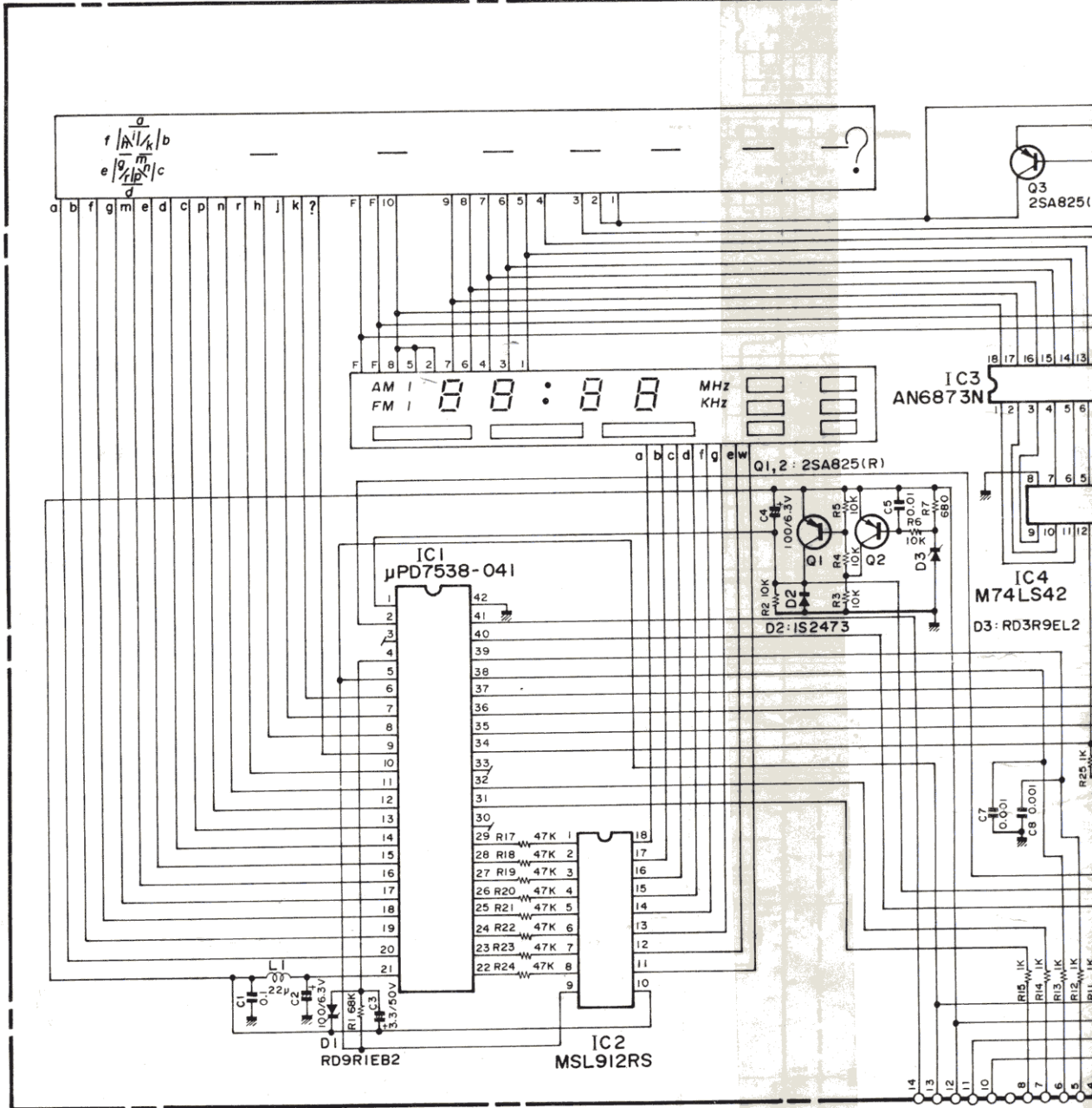
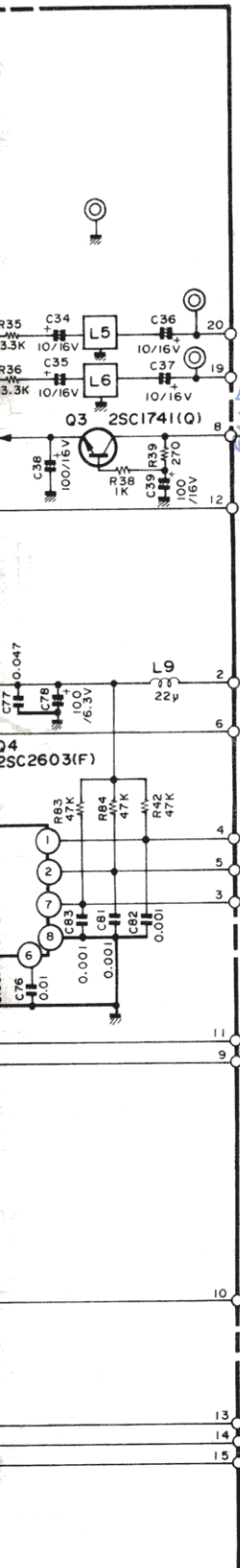


5

6

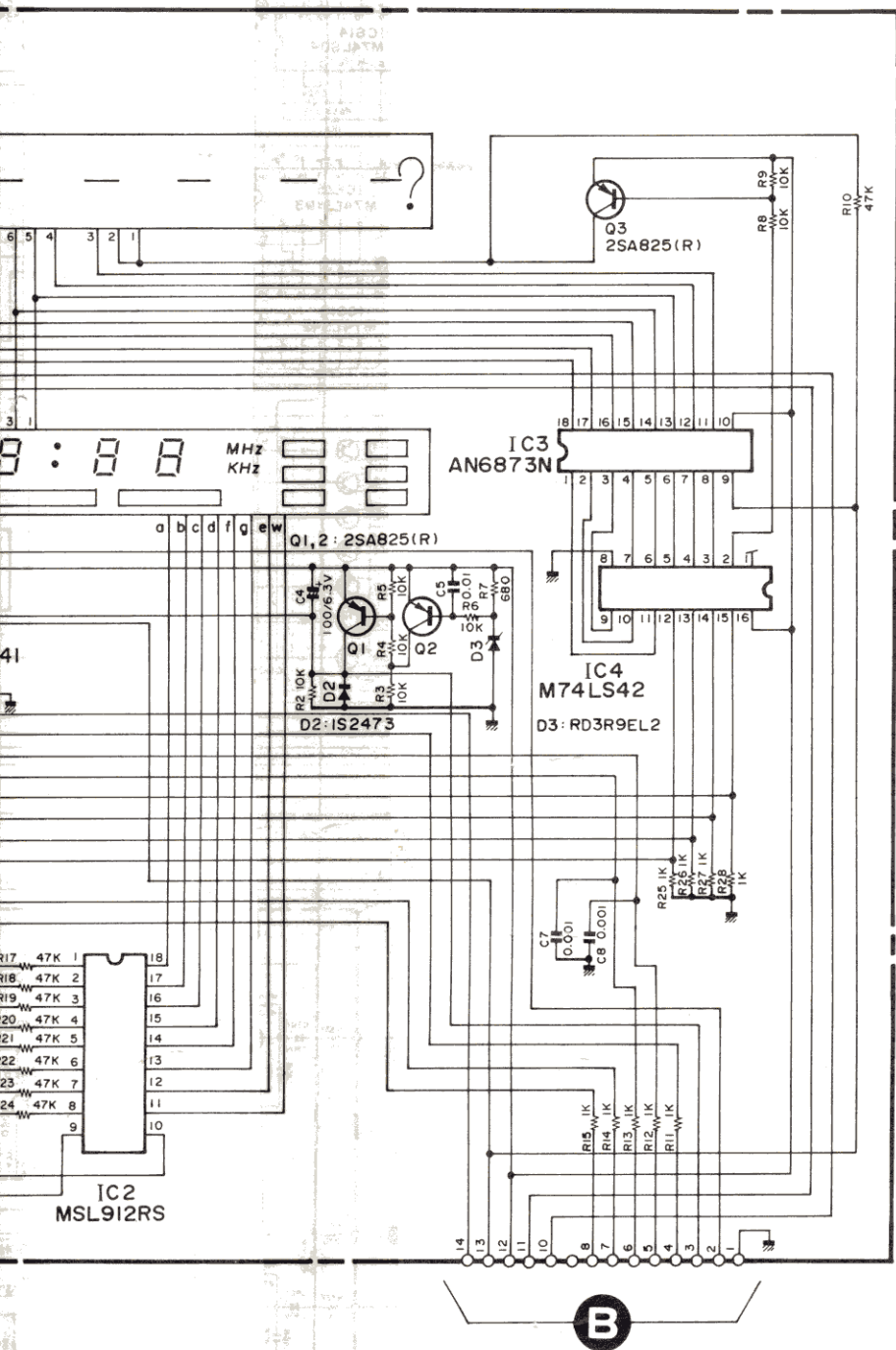
7

8



7

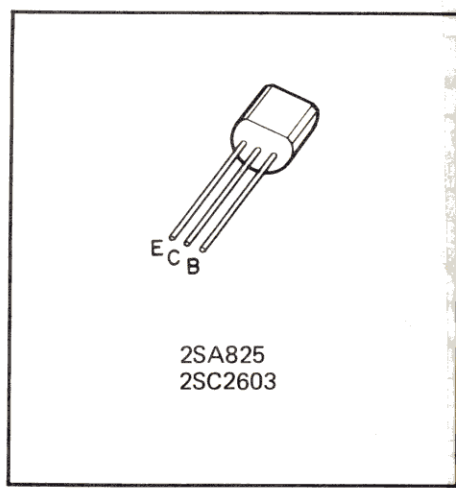
8

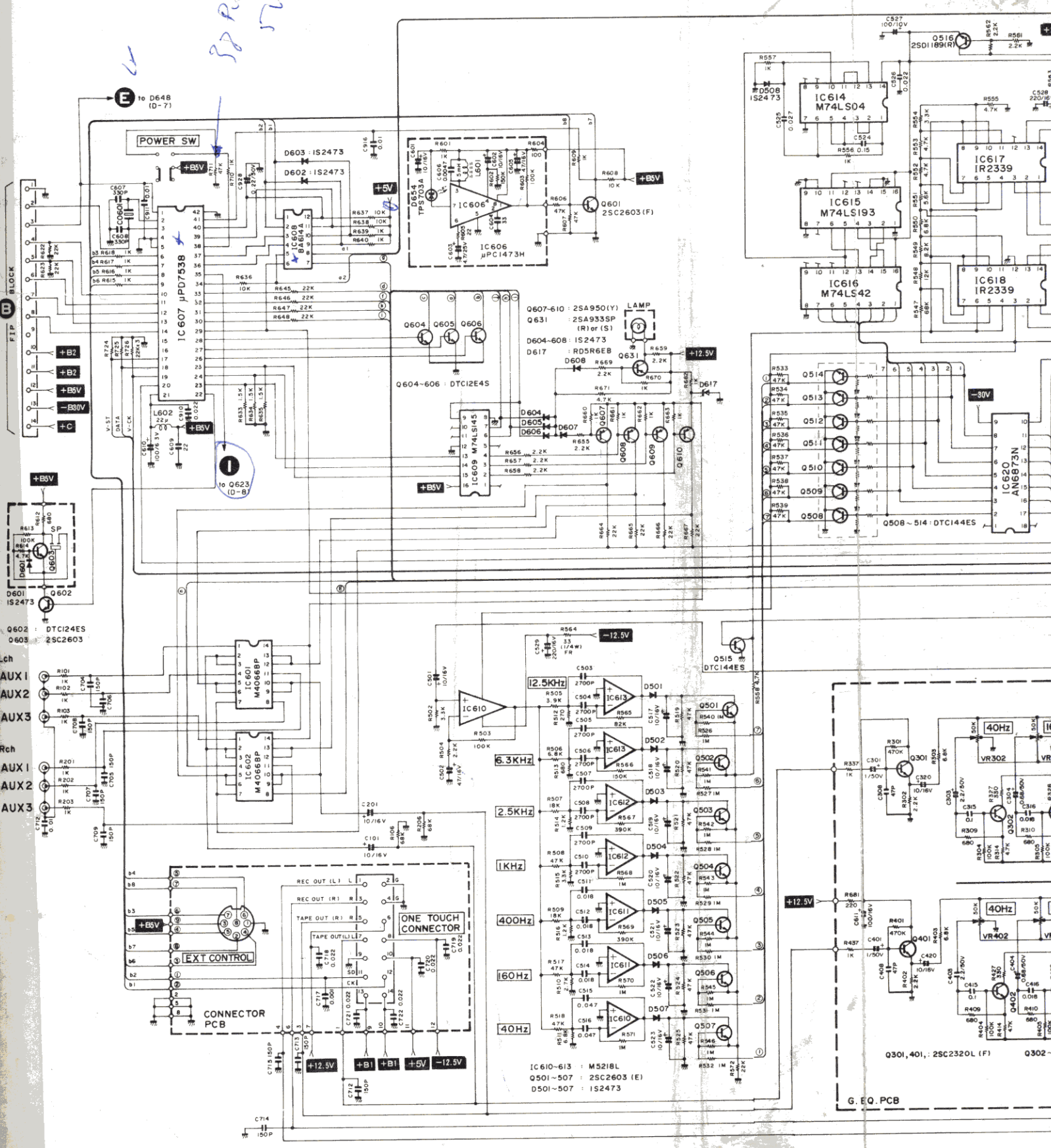


NOTE:

1. Unit of C and R
 C No-symbol; μF
 P-symbol; PF
 R No-symbol; Ω
 K-symbol; k Ω
 M-symbol; M Ω
- Wattage for all unspecified resistor are 1/4W.
2. Voltage are those measured with DC 1M Ω dig voltmeter.
3. This circuit diagram may be changed due to improvement.

TRANSISTOR



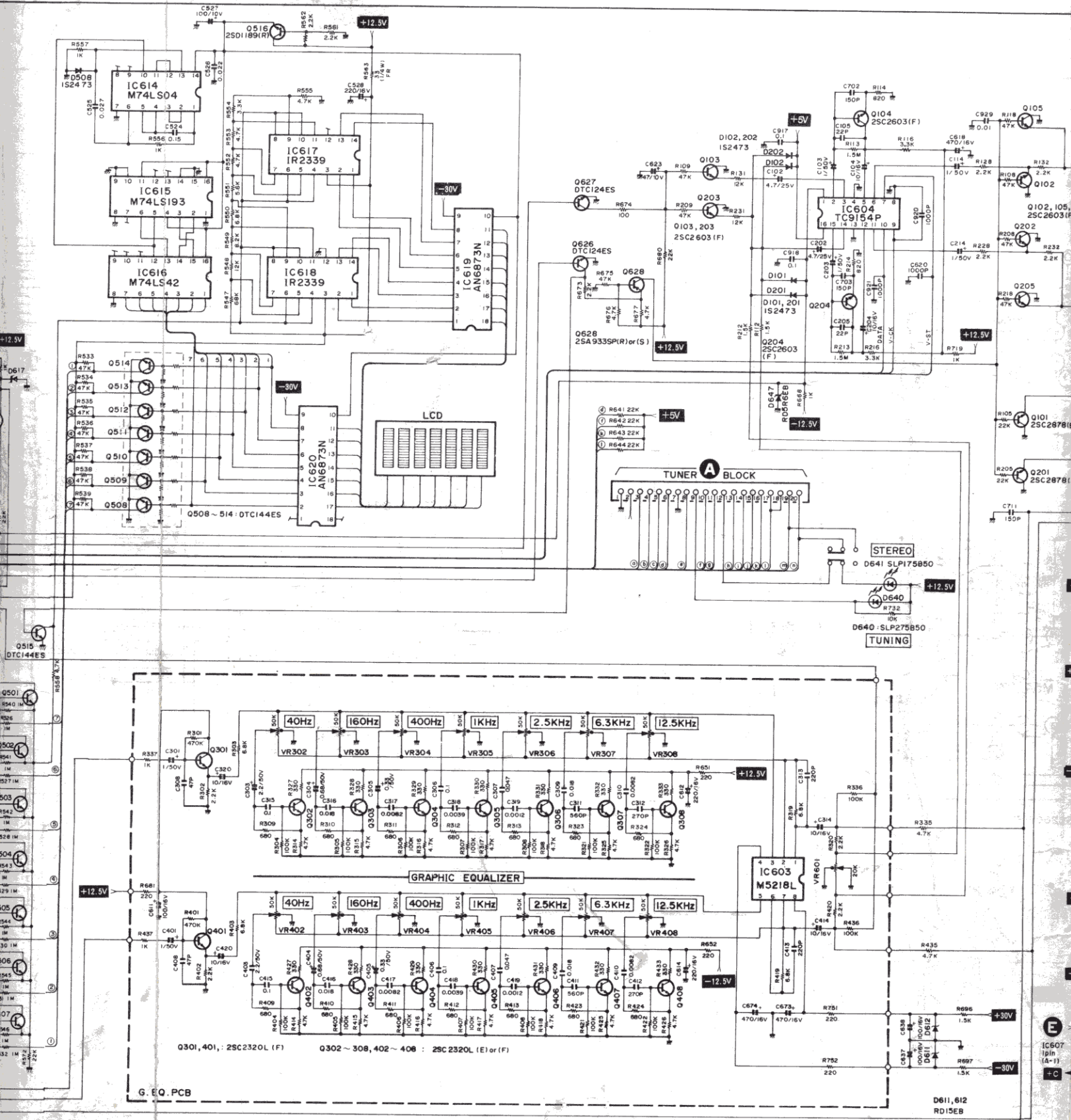


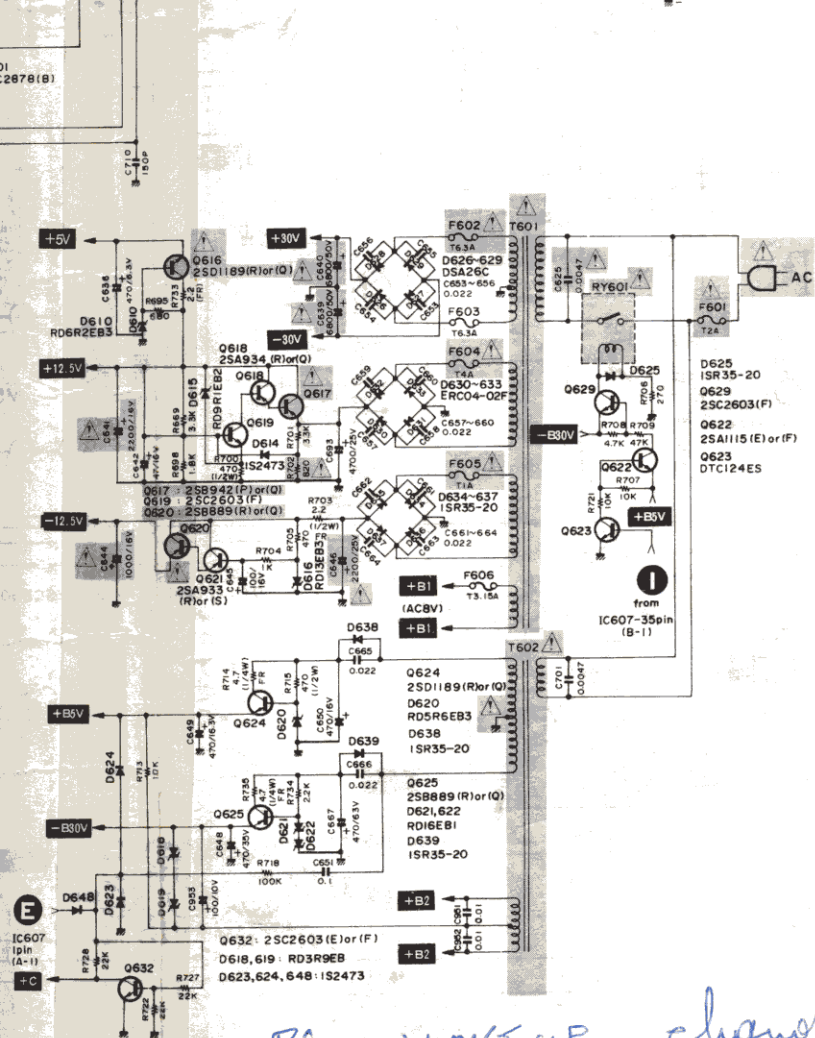
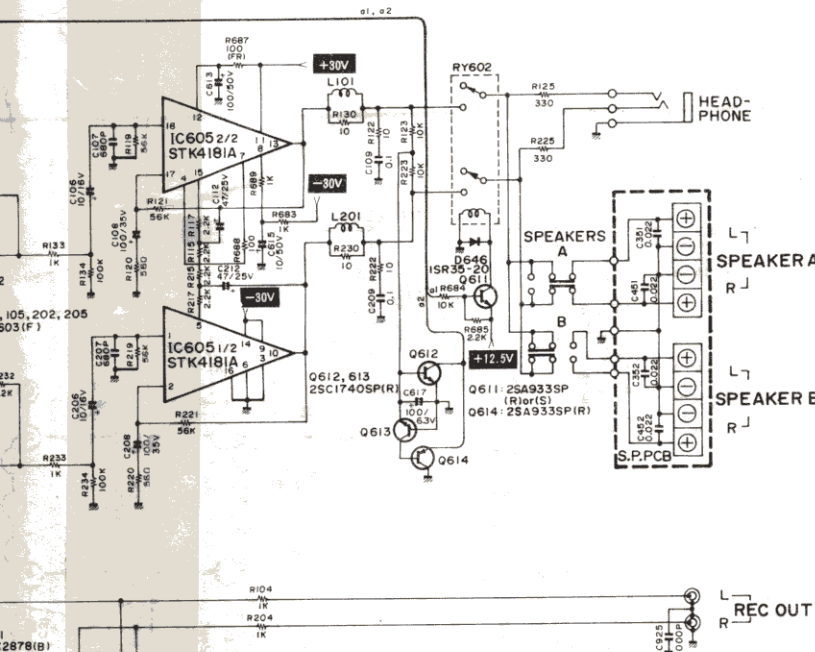
4

5

6

7





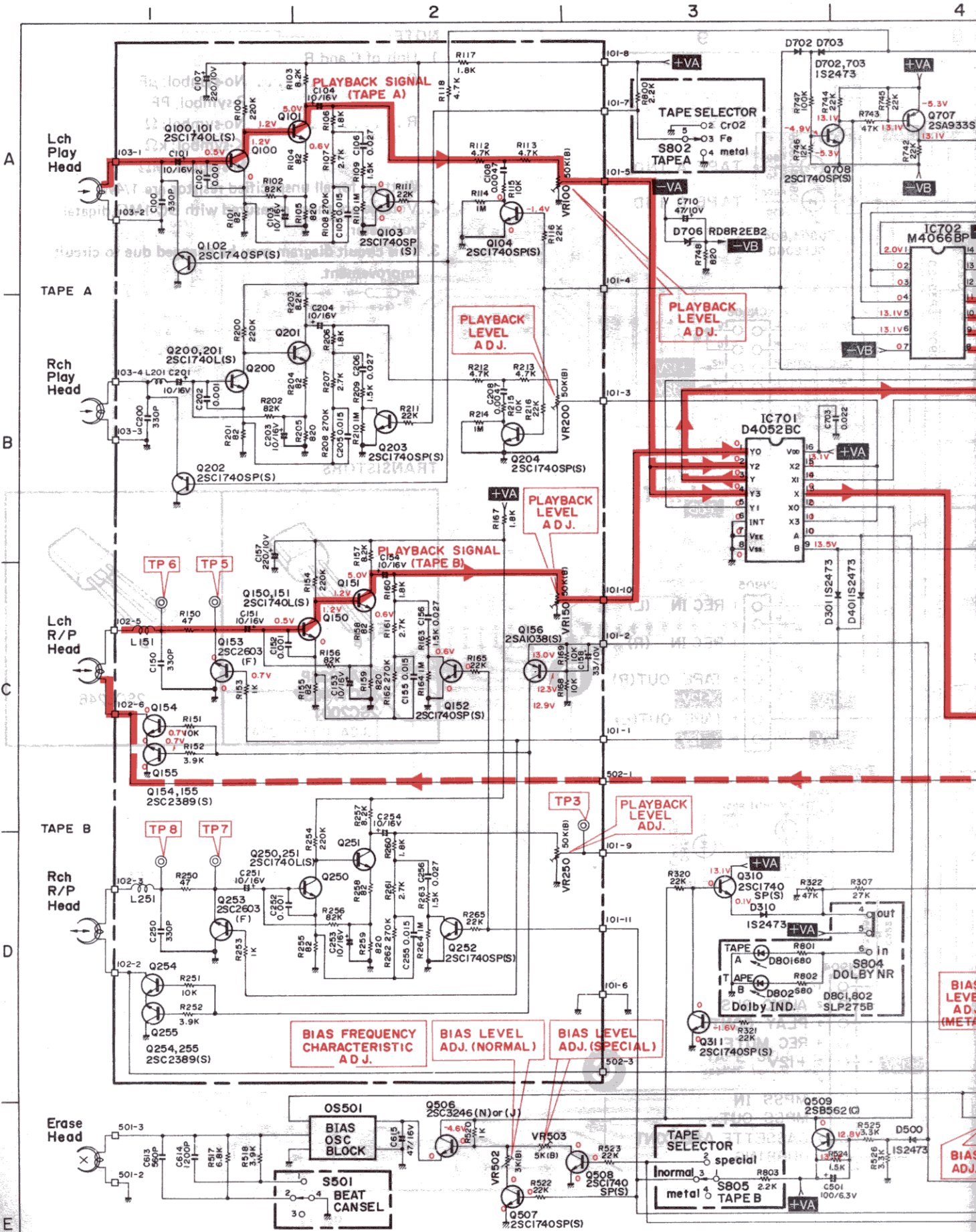
PS: WAKE UP *chiquete*
 et display affiche AM + PM
 apparul en vente

NOTE:

- Unit of C and R
 C No-symbol; μF
 P-symbol; PF
 R No-symbol; Ω
 K-symbol; $k\Omega$
 M-symbol; $M\Omega$
 Wattage for all unspecified resistor are 1/4W.
- Voltage are those measured with DC 1M Ω digital voltmeter.
- ∇ and Δ indicates components which are critical for continued safety and performance of this unit. Replace only with components of the same type as specified.
- This circuit diagram may be changed due to circuit improvement.

TRANSISTORS

SCHEMATIC DIAGRAM

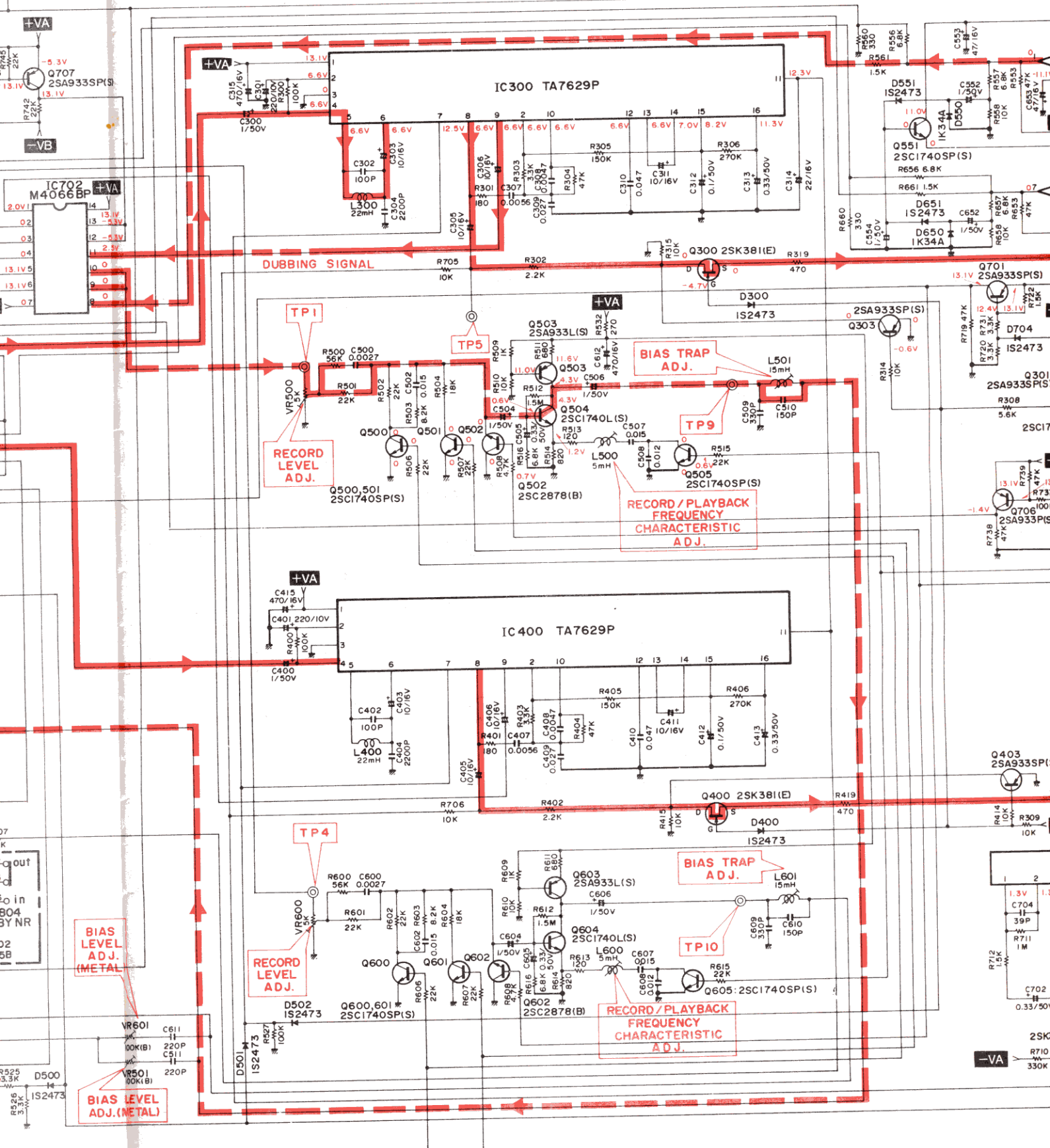


4

5

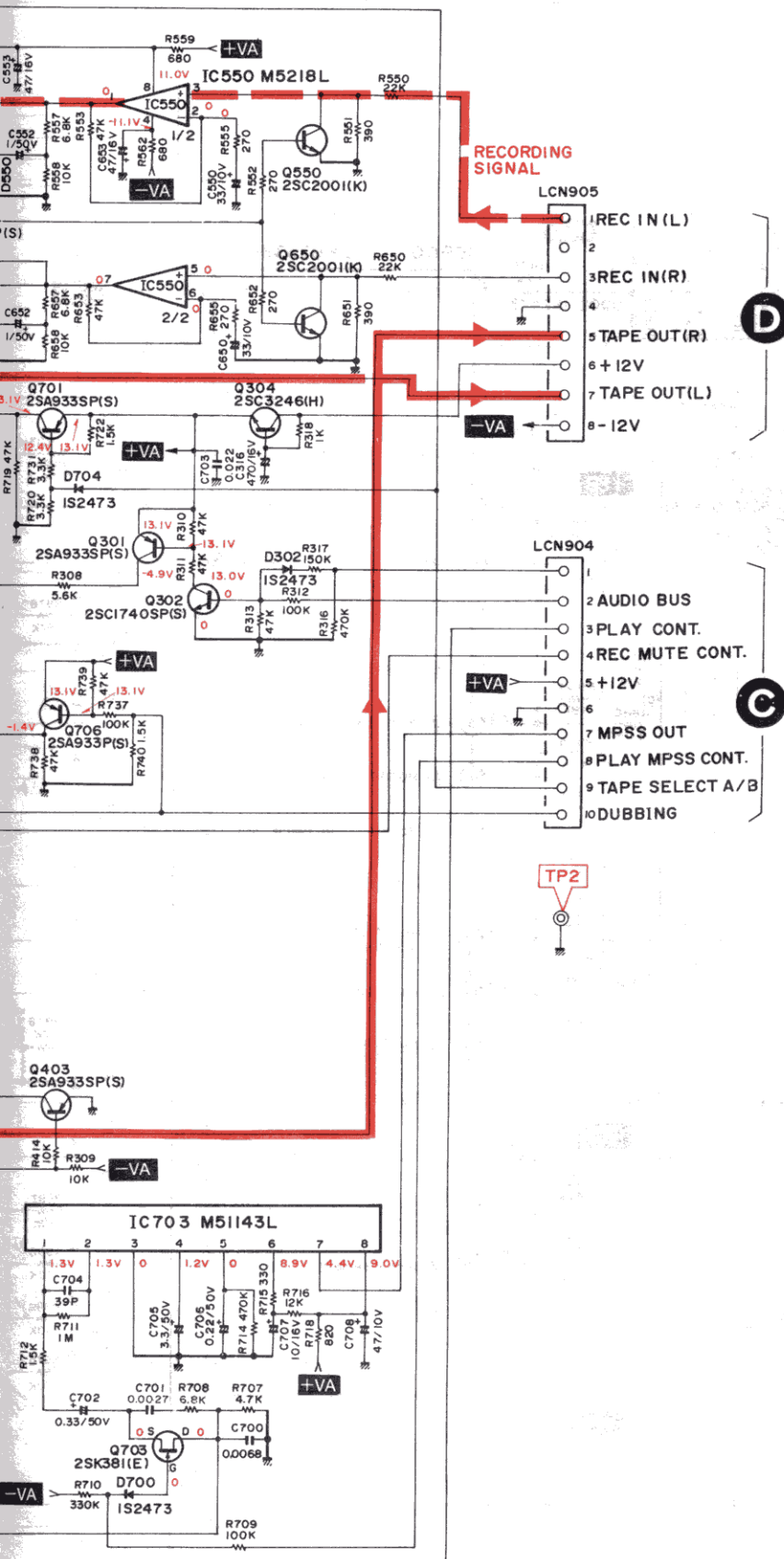
6

7



8

9



NOTE:

1. Unit of C and R

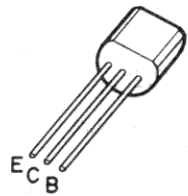
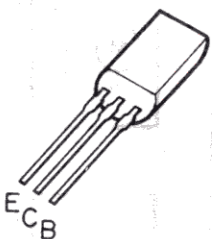
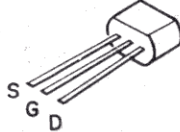
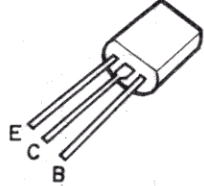
- C No-symbol; μ F
- P-symbol; PF
- R No-symbol; Ω
- K-symbol; k Ω
- M-symbol; M Ω

Wattage for all unspecified resistor are 1/4W.

2. Voltage are those measured with DC 1M Ω digital voltmeter.

3. This circuit diagram may be changed due to circuit improvement.

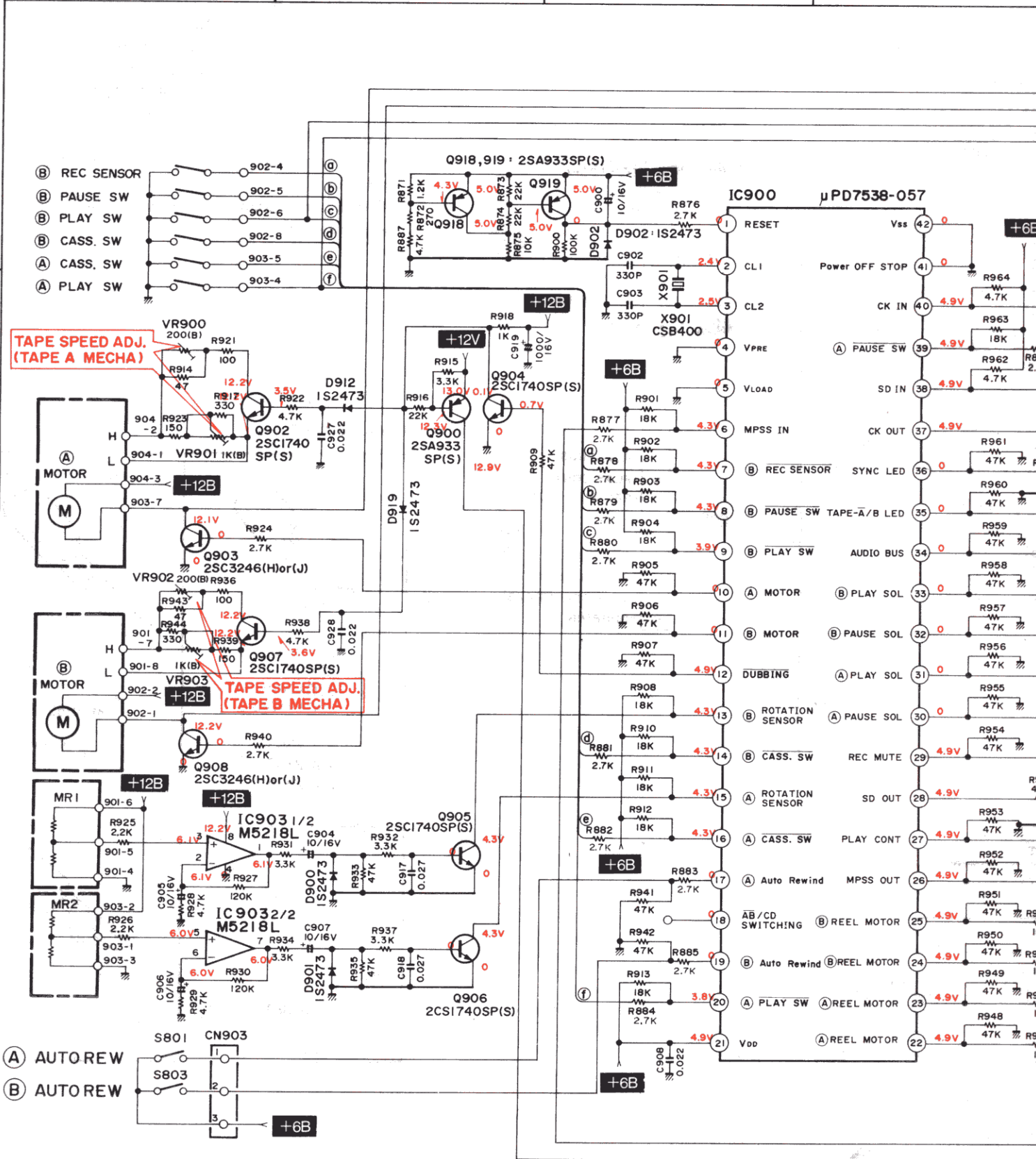
TRANSISTORS

 <p>2SA933L 2SA933SP 2SC1740L 2SC1740SP 2SC2001 2SC2603 2SC2389 2SC2878</p>	 <p>2SB562</p>
 <p>2SK381</p>	 <p>2SC3246</p>

SCHEMATIC DIAGRAM

1 2 3 4

A
B
C
D
E



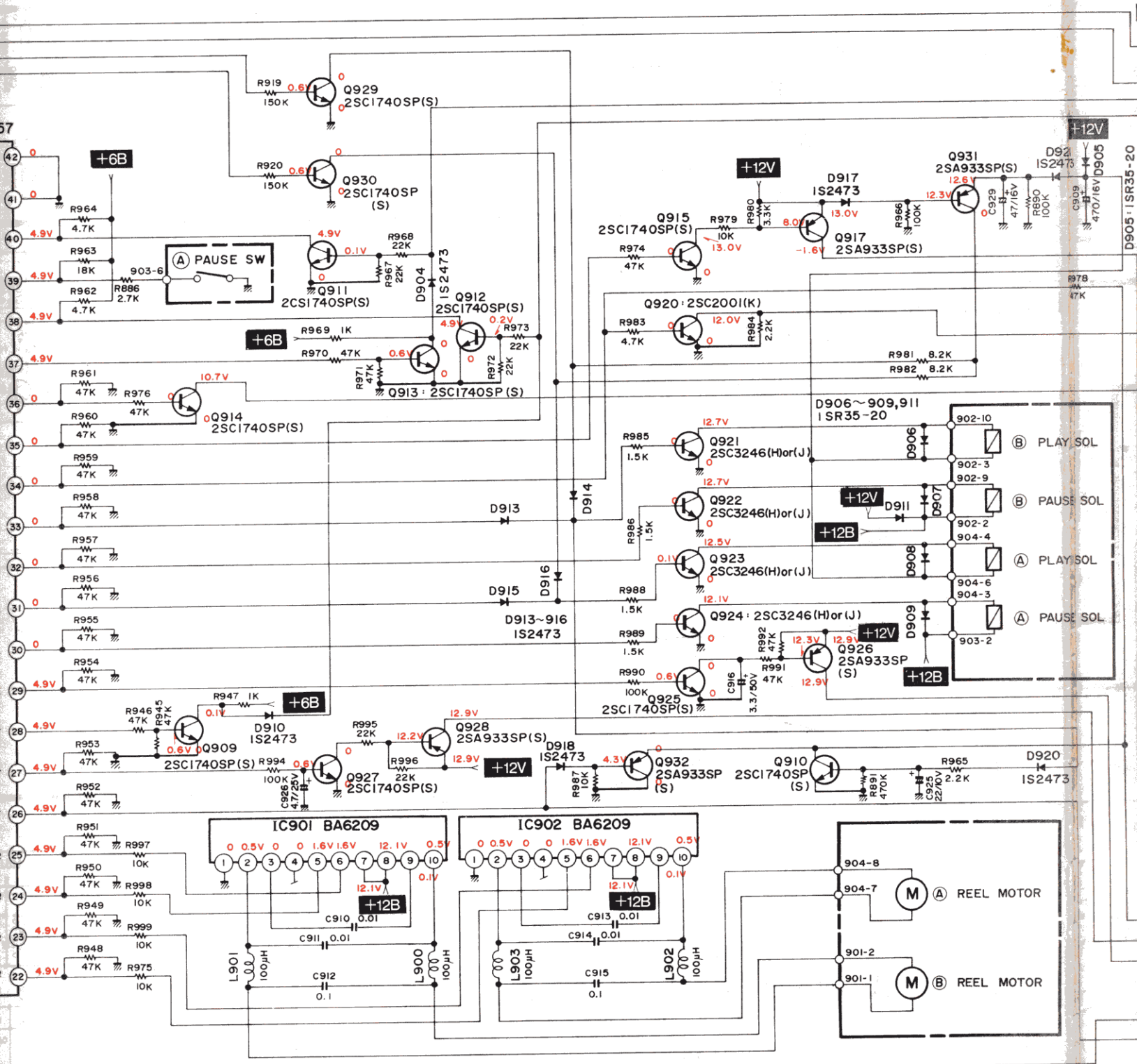
4

5

6

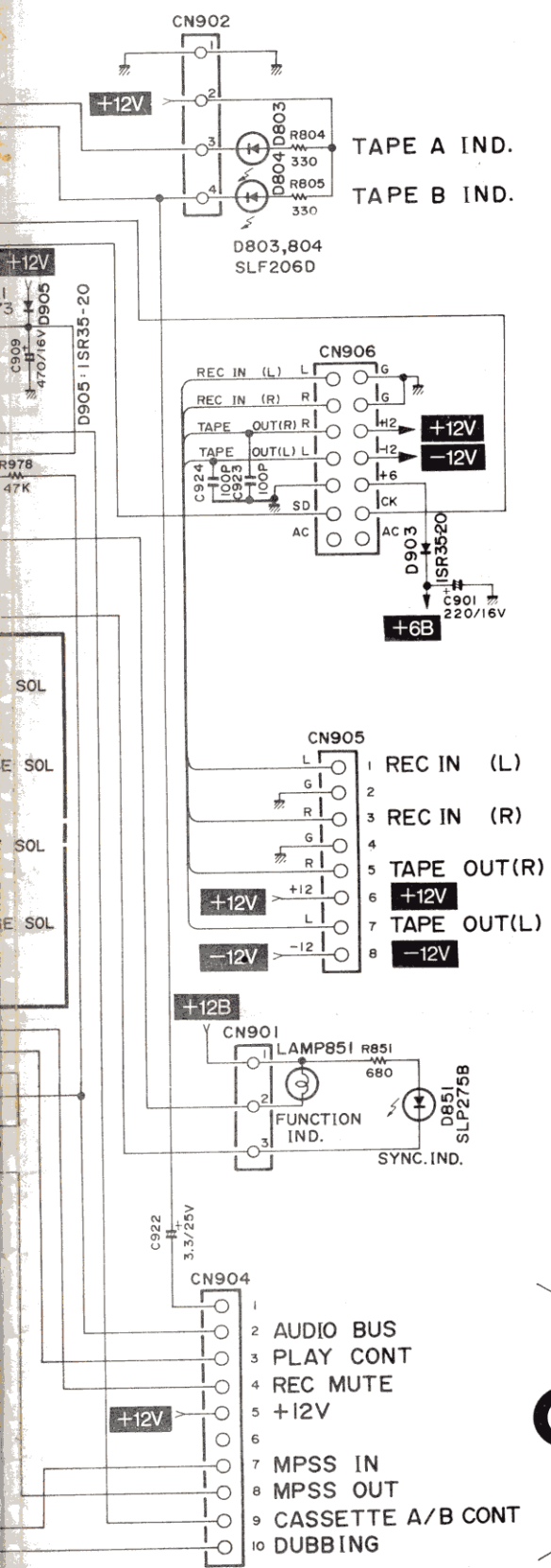
7

8



8

9



NOTE:

1. Unit of C and R

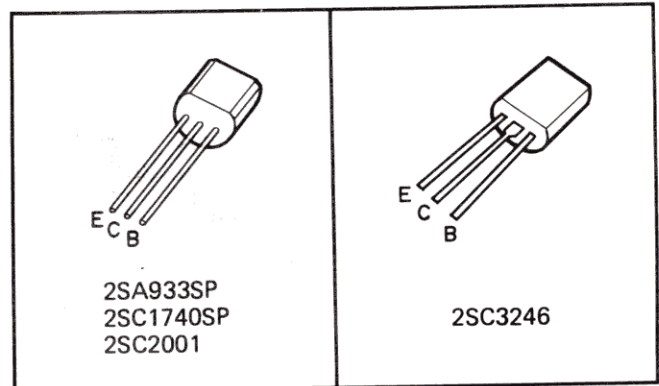
- C No-symbol; μ F
- P-symbol; PF
- R No-symbol; Ω
- K-symbol; k Ω
- M-symbol; M Ω

Wattage for all unspecified resistor are 1/4W.

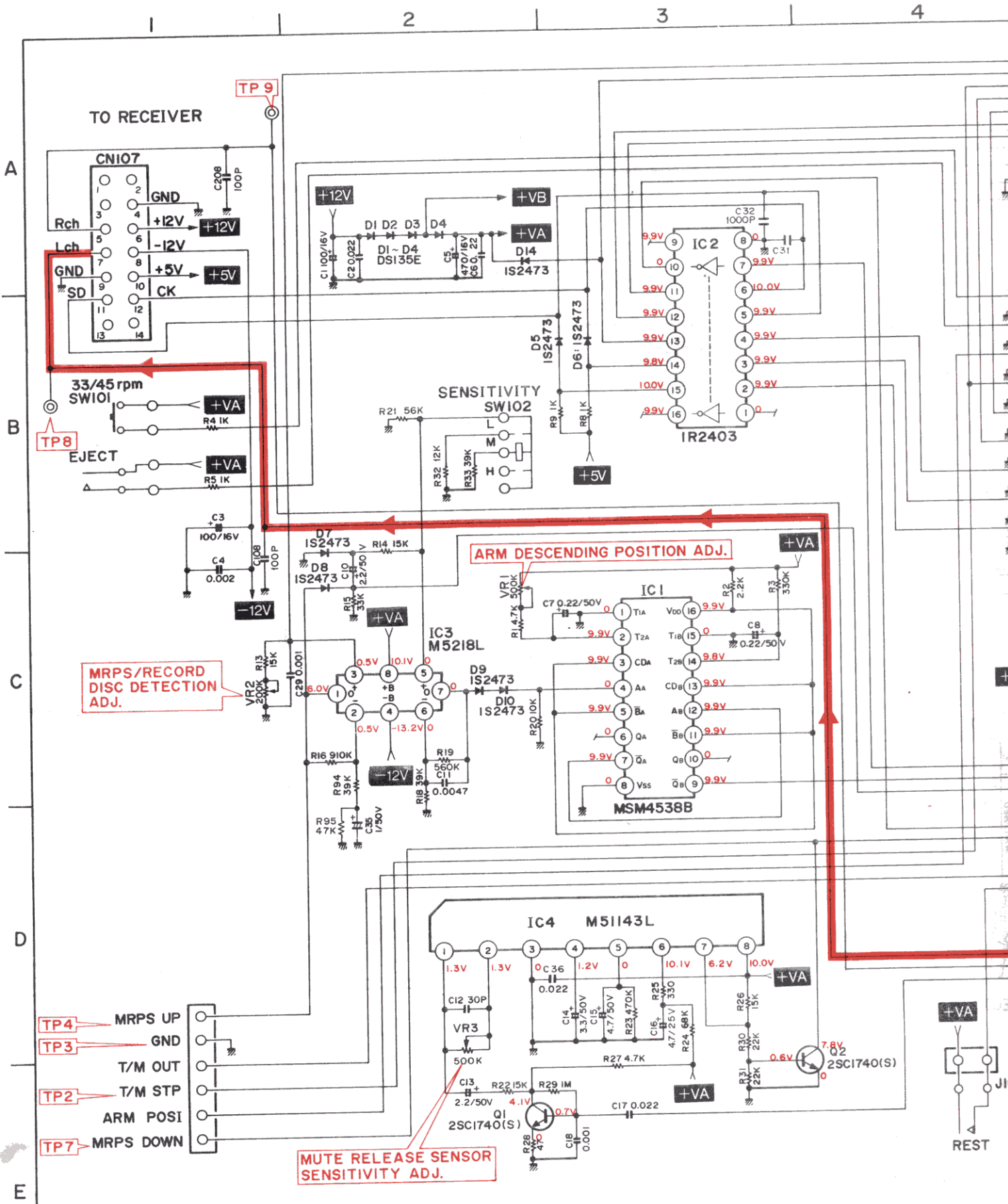
2. Voltage are those measured with DC 1M Ω digital voltmeter.

3. This circuit diagram may be changed due to circuit improvement.

TRANSISTORS



SCHEMATIC DIAGRAM

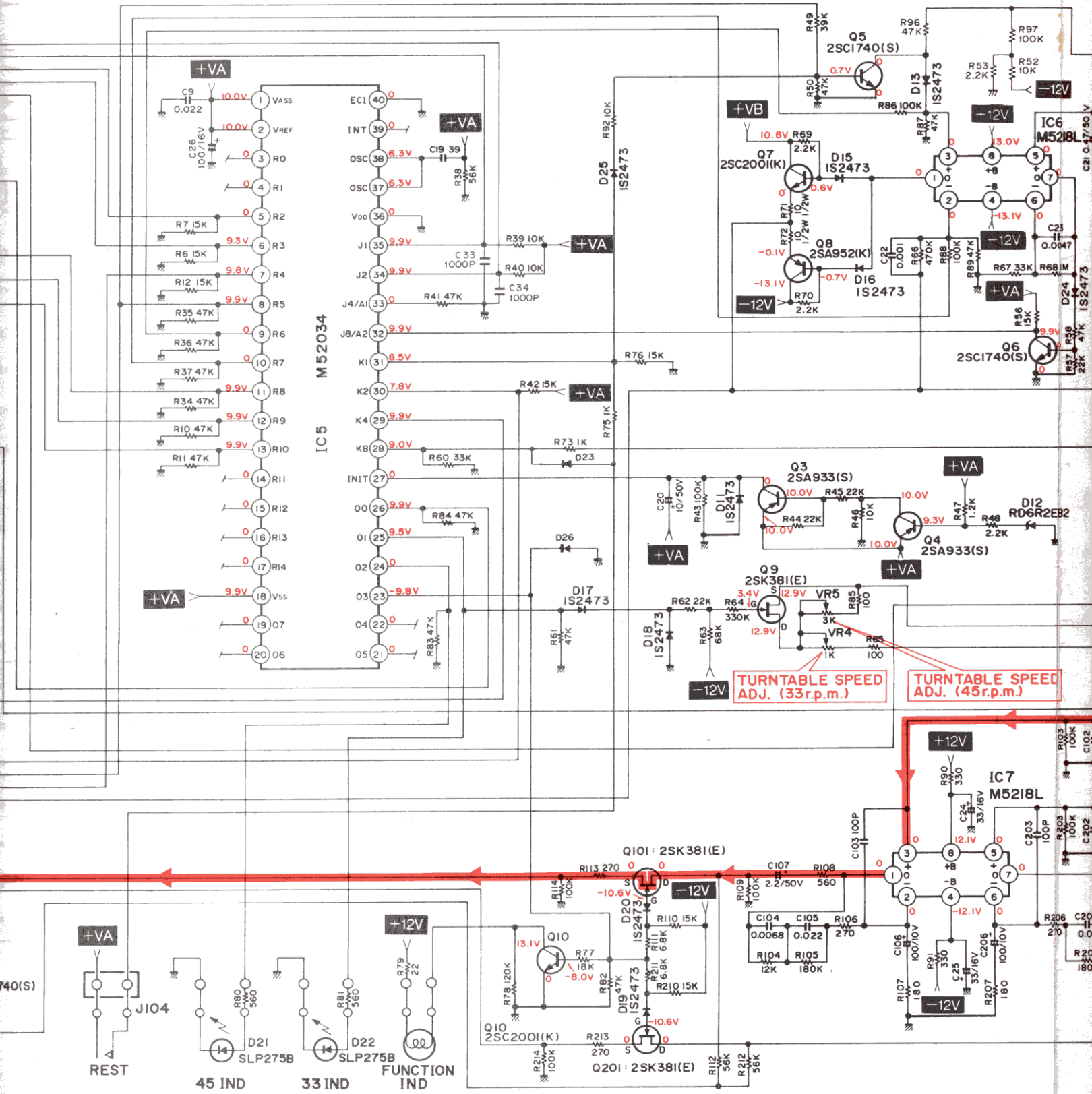


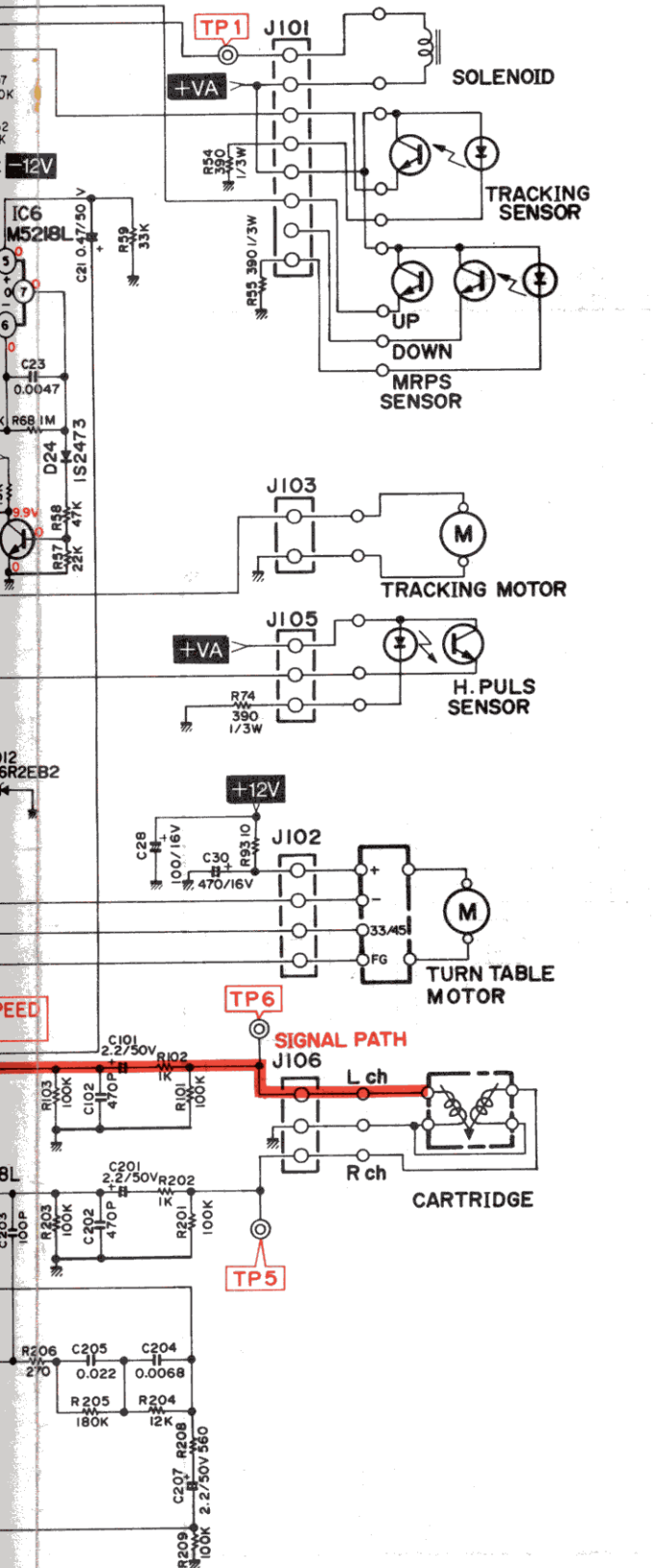
4

5

6

7





NOTE:

1. Unit of C and R

- C No-symbol; μ F
- P-symbol; PF
- R No-symbol; Ω
- K-symbol; k Ω
- M-symbol; M Ω

Wattage for all unspecified resistor are 1/4W.

2. Voltage are those measured with DC 1M Ω digital voltmeter.

3. This circuit diagram may be changed due to circuit improvement.

TRANSISTORS

